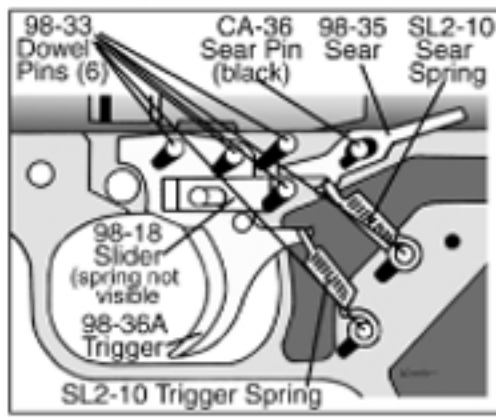
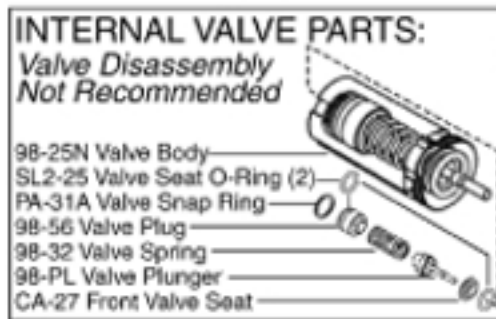
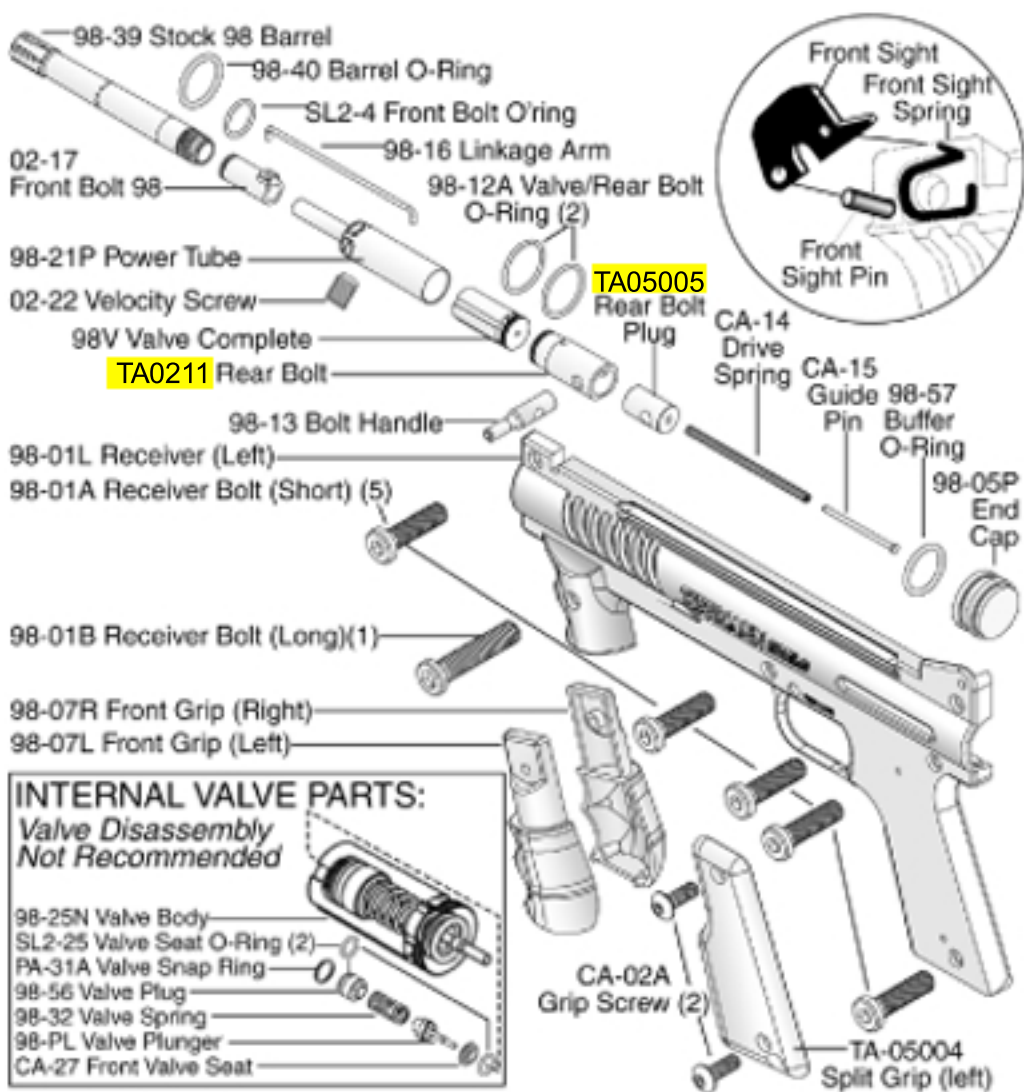


MODEL 98™ Parts List



TRIGGER ASSEMBLY

- 1) Place 6 dowel pins and 1 black sear pin into the locations as shown.
- 2) Then place the trigger and sear onto pins as shown.
- 3) Loop the springs onto the bottom pins and then onto the trigger and sear as shown.

WARNING
DO NOT FIELD STRIP OR OTHERWISE DISASSEMBLE THIS MARKER WHILE IT IS PRESSURIZED WITH AIR.

TIPPMANN™
 Yellow = Diagram Correction
 Courtesy of Tippmannparts.com

